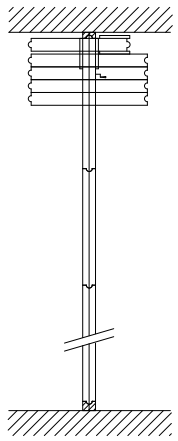
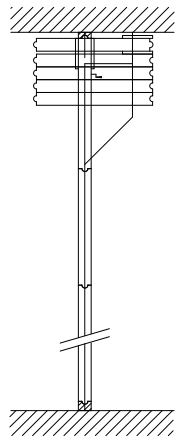


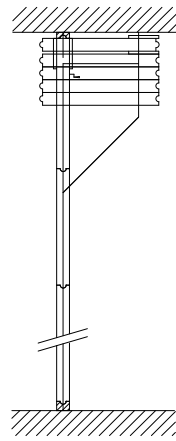
TRACK AND PANEL LAYOUT - EXAMPLES



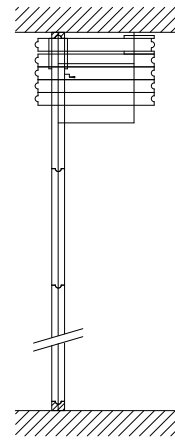
TL1
('E' SYSTEM)



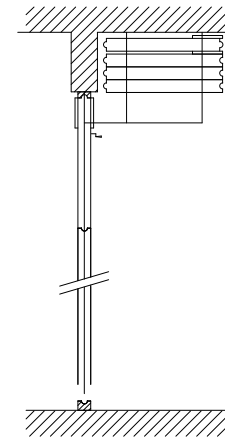
TL2
('Za' SYSTEM)



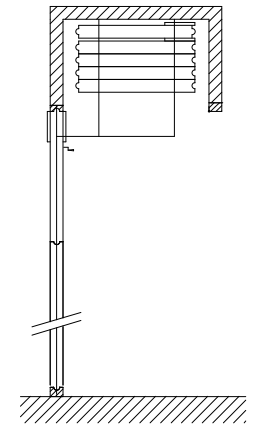
TL3
('Zb' SYSTEM)



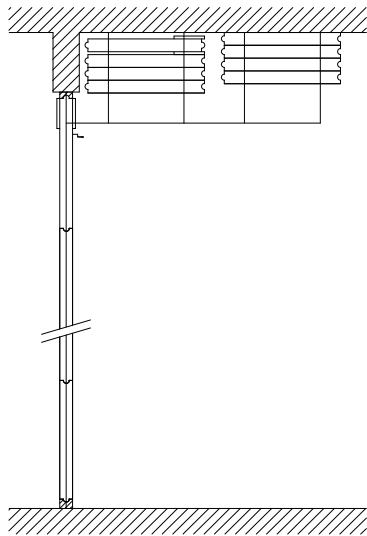
TL4
('K' SYSTEM)



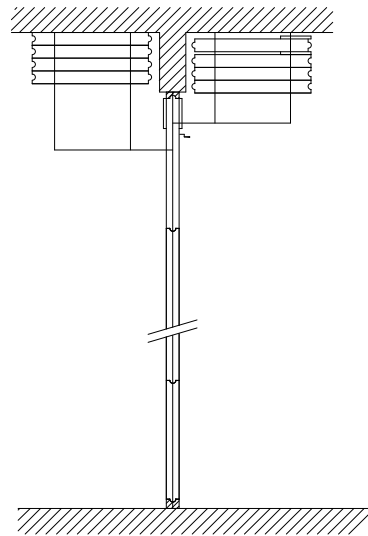
TL5
('K' SYSTEM)



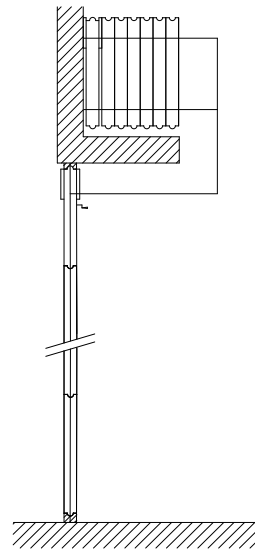
TL6
('K' SYSTEM)



TL7
('K' SYSTEM)



TL7
('K' SYSTEM)



TL8
('K' SYSTEM)

Note:
All options are available
as bi-parting configuration



LONDON WALL
London Wall Design Ltd
Tel : +44 (0) 20 8391 8750
www.londonwall.co.uk
E-Mail : Sales@londonwall.co.uk
DRG. NO.: SL - 101