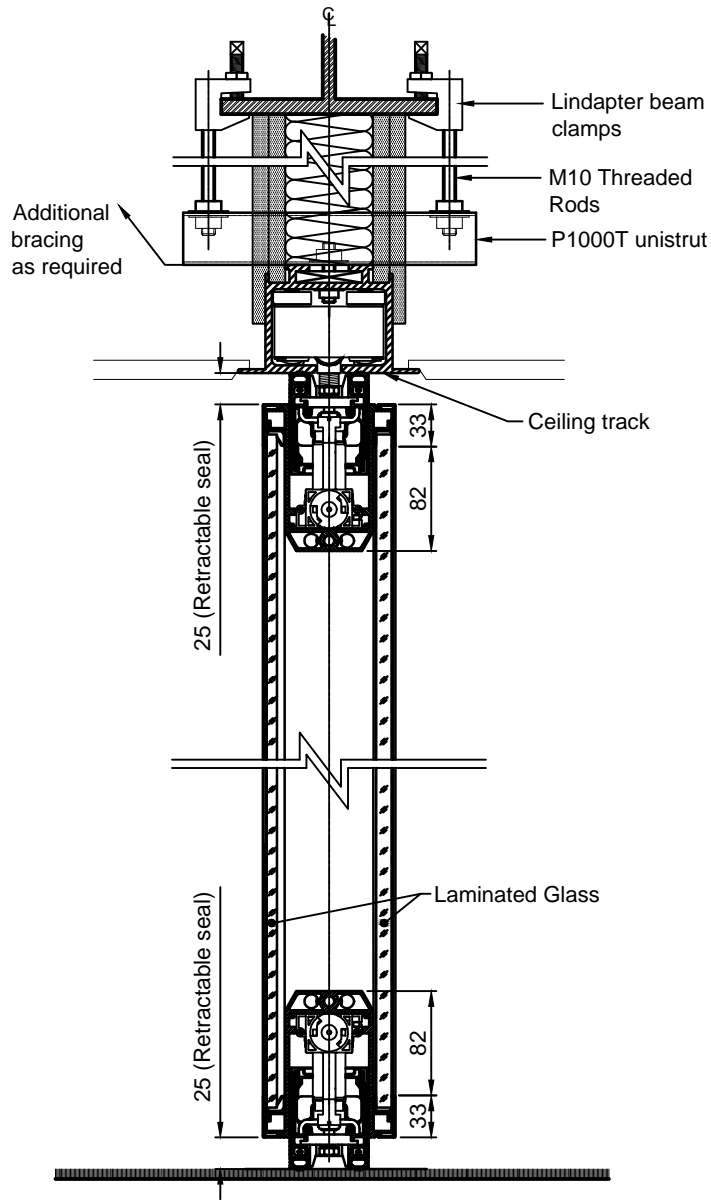
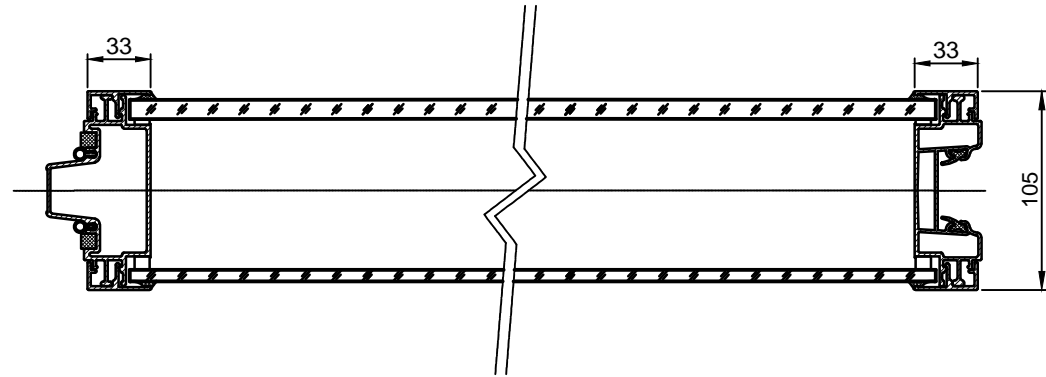


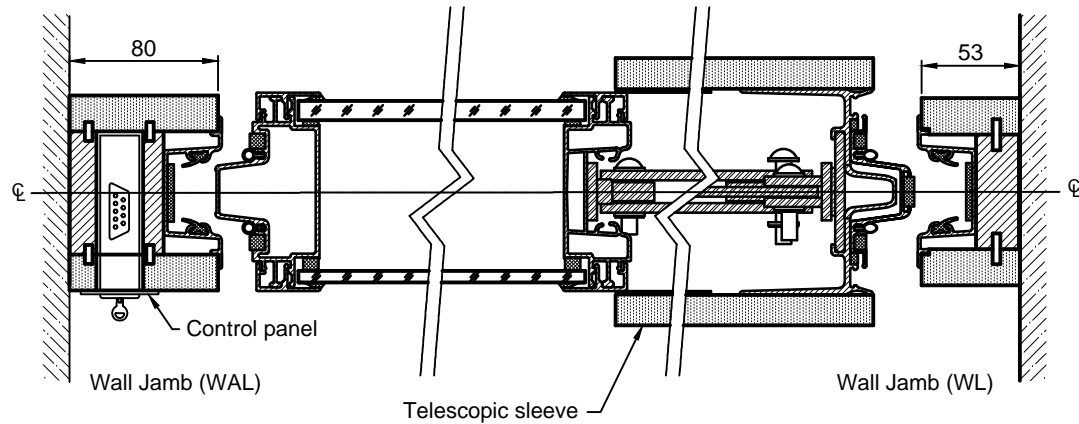
PANEL DETAILS - TYPE G100 GLAZED ACOUSTIC WALL



1. VERTICAL SECTION THROUGH STANDARD PANEL (NE)



2. HORIZONTAL SECTION THROUGH STANDARD PANEL (NE)



3. HORIZONTAL SECTION THROUGH TELESCOPIC PANEL (TE) AND WALL JAMBS (WL + WAL)



LONDON WALL
London Wall Design Ltd

Tel : +44 (0) 20 8391 8750

www.londonwall.co.uk

E-Mail : Sales@londonwall.co.uk

DRG. NO.: SL - 108